

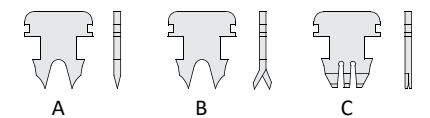
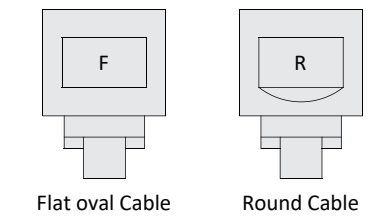
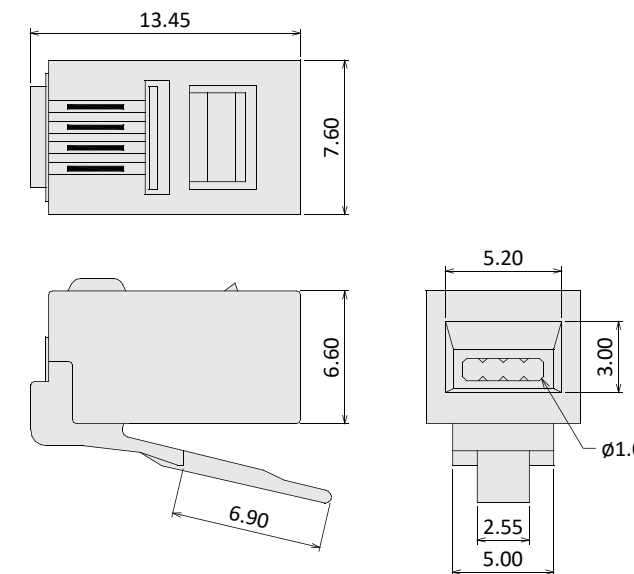
# Modular Plug

Current Rate: 1.5A  
 Voltage Rate: 125V  
 Dielectric Voltage: 1000V AC for one minute  
 Insulation Resistance: 500MΩ Min.  
 Contact Resistance: 30mΩ Max.  
 Material Contact: Copper Alloy, Gold Plated  
 Material Insulator: PC, UL94V-2  
 Operating Temperature: -40°C~+85°C



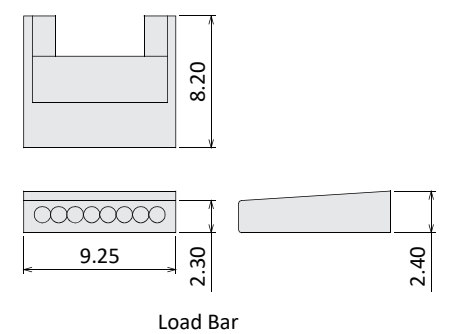
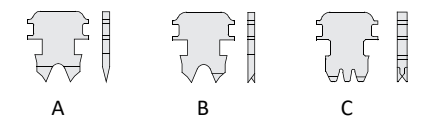
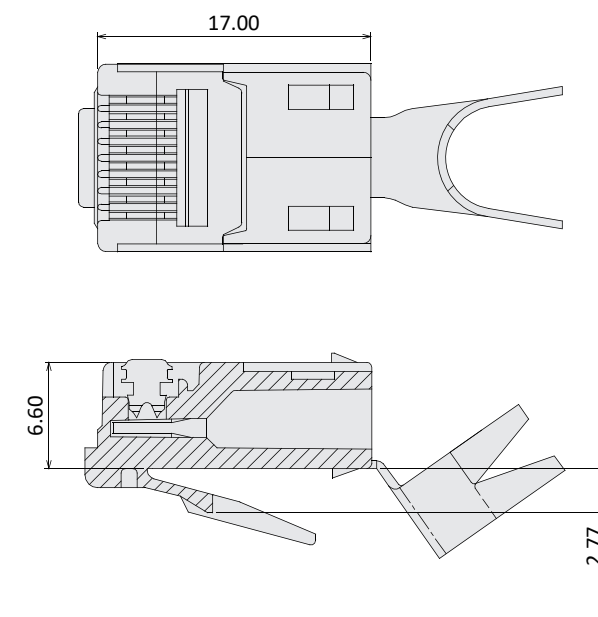
## Modular Plug 4 Positions Short Type

Part No.: QAXXX-4XX10



## Modular Plug Shield 8 Positions With Cable Clip / Load Bar

Part No.: QDXX-88XI

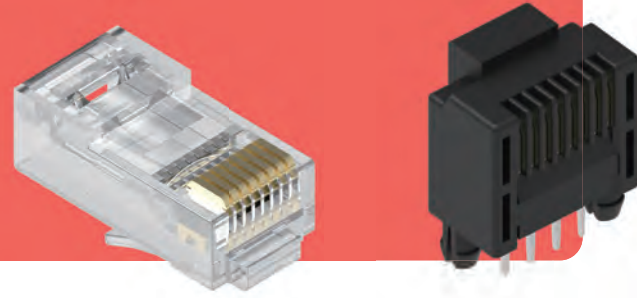


## Order Information

<b>Q</b>	<b>X</b>	<b>X</b>	<b>XX</b>	-	<b>XX</b>	<b>X</b>	<b>XX</b>
A: A Type D: D Type	F: Flat oval Cable R: Round Cable (for A Type)	G0: Gold Flash G1: Gold 3u" G2: Gold 6u"	G3: Gold 10u" G4: Gold 15u" G5: Gold 30u"		42: 4P2C 44: 4P4C 88: 8P8C (88 for D Type)	A: 2 Prong for Stranded Conductor B: 2 Prong for Solid Conductor C: 3 Prong for Solid Conductor	10: for 1.0mm Dia. Wire I: Insert

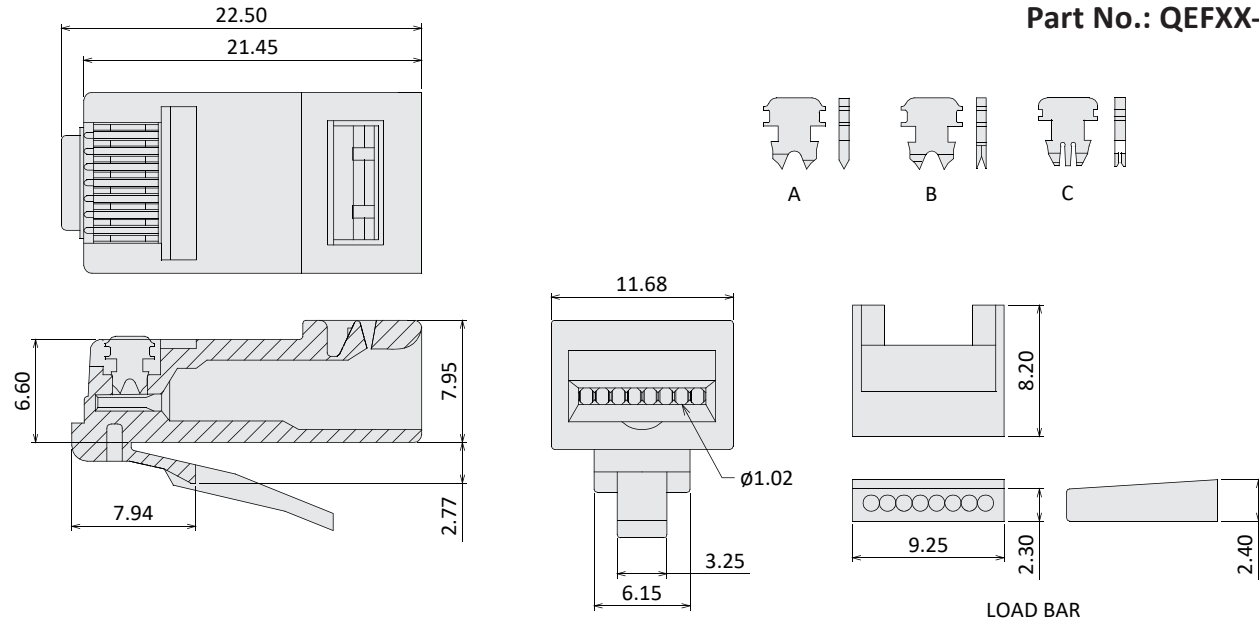
# Modular Plug

Current Rate: 1.5A  
 Voltage Rate: 125V  
 Dielectric Voltage: 1000V AC for one minute  
 Insulation Resistance: 500MΩ Min.  
 Contact Resistance: 30mΩ Max.  
 Material Contact: Copper Alloy, Gold Plated  
 Material Insulator: PC, UL94V-2  
 Operating Temperature: -40°C~+85°C



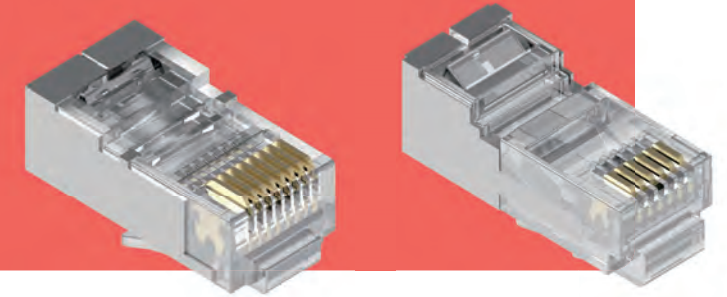
## Modular Plug 8P8C With Load Bar

Part No.: QEFXX-88X



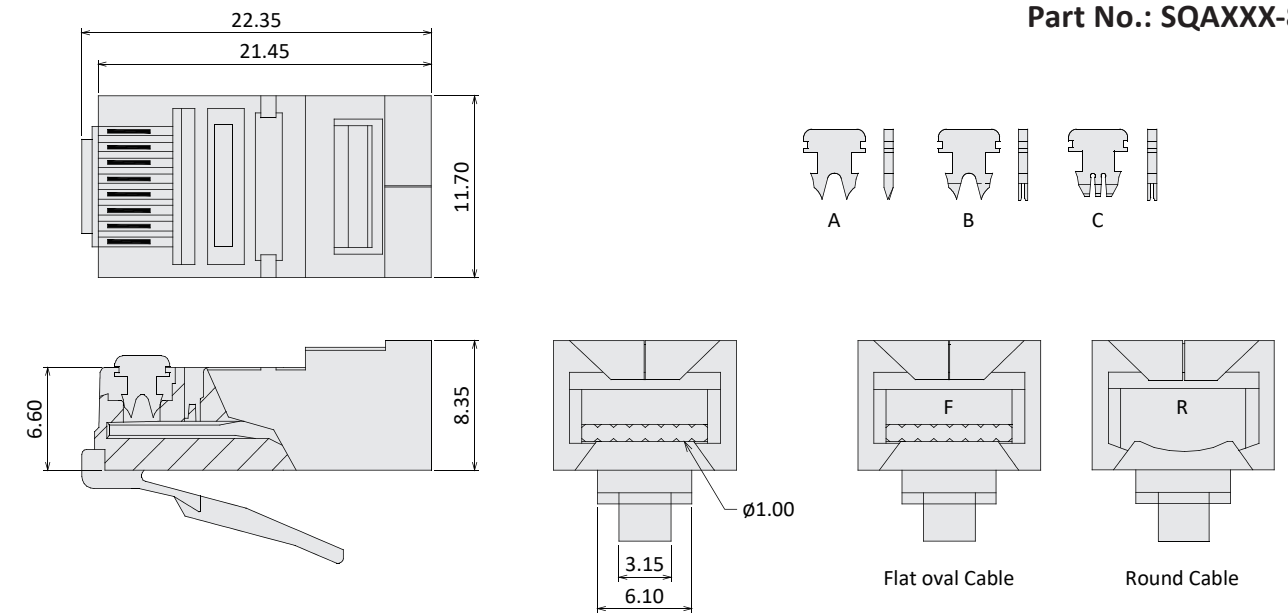
# Modular Plug

Current Rate: 1.5A  
 Voltage Rate: 125V  
 Dielectric Voltage: 1000V AC for one minute  
 Insulation Resistance: 500MΩ Min.  
 Contact Resistance: 30mΩ Max.  
 Material Contact: Copper Alloy, Gold Plated  
 Material Insulator: PC, UL94V-2  
 Operating Temperature: -40°C~+85°C



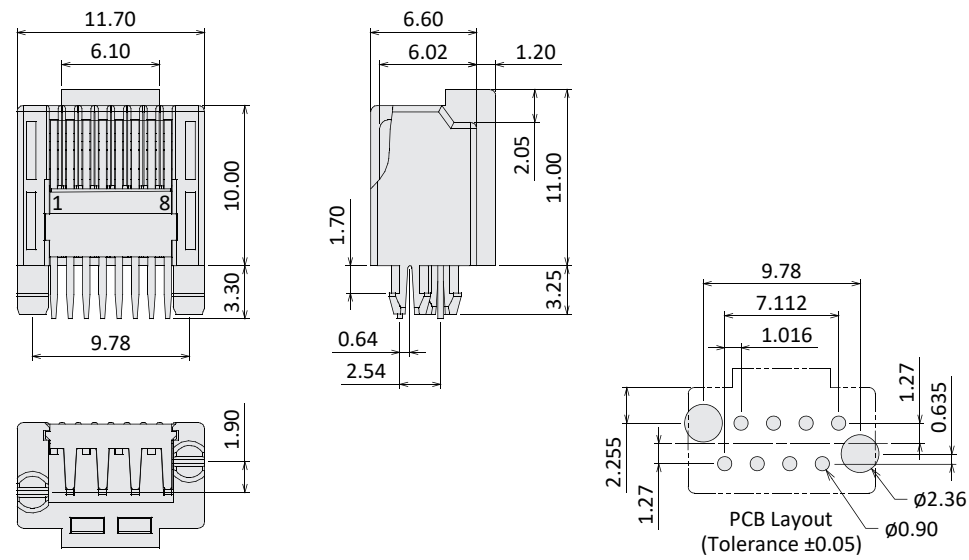
## Modular Plug Shielded 8 Positions Long Type

Part No.: SQAXXX-88X



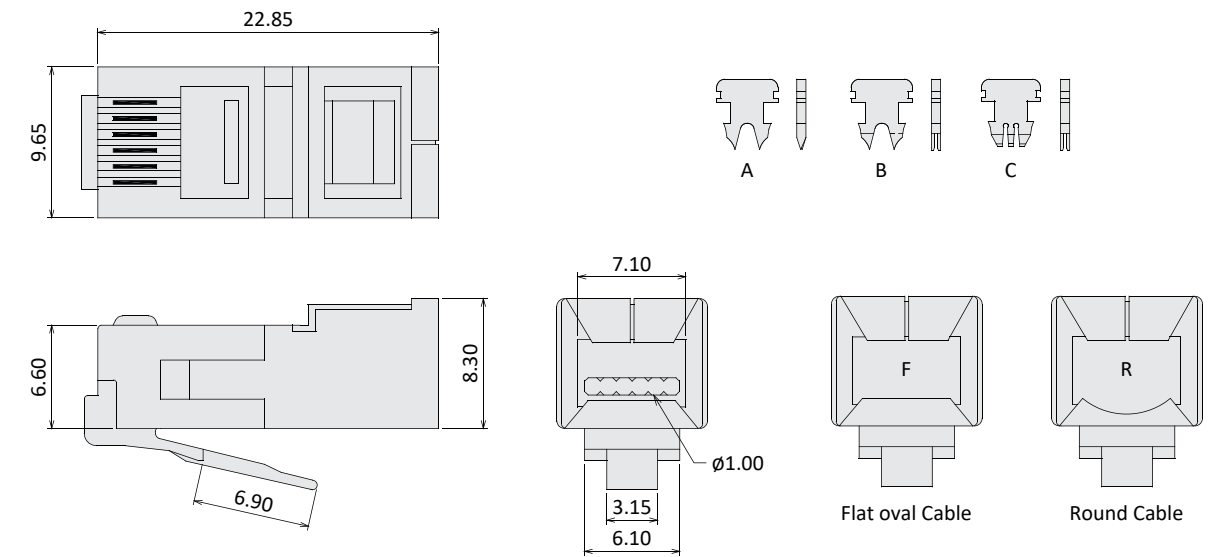
## Modular Plug 8P8C PCB DIP Type

Part No.: Q317NXX-88

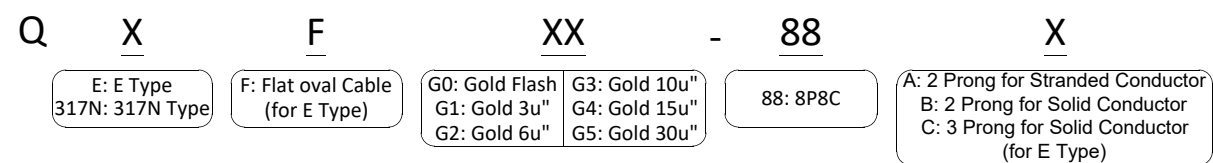


## Modular Plug Shielded 6 Positions Long Type

Part No.: SQCXXX-6XX69



## Order Information



## Order Information

